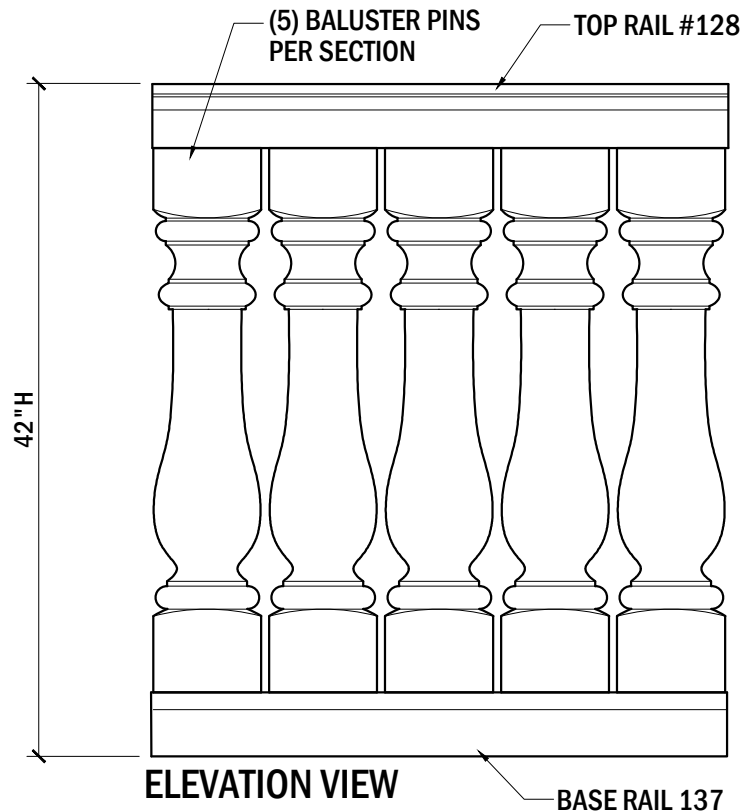
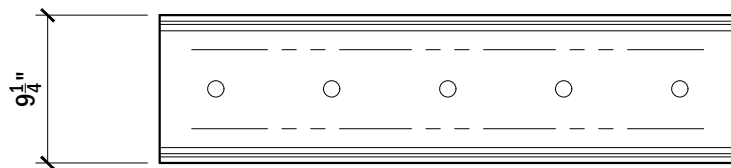
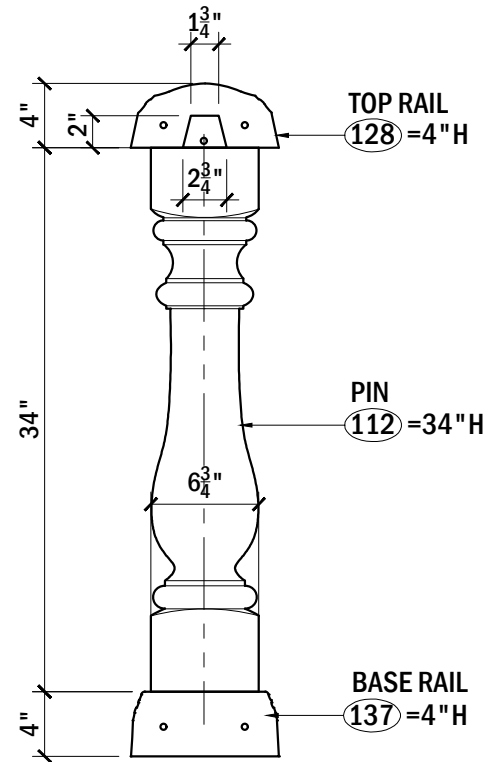


TOP VIEW, TOP RAIL #128



ELEVATION VIEW



TOP VIEW, BASE RAIL #137

ITEM NUMBER AND TITLE:

104 BALUSTER - 42" H, SECTION 7 PCS, 3 LINEAR FEET.

DATE:

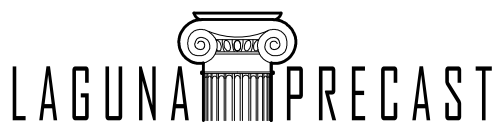
25-06-19

SCALE:

1"=1'-0"

WEIGHT:

550 Lbs



SALES@LAGUNAPRECAST.COM
WWW.LAGUNAPRECAST.COM

SALES 877 774 3280 TOLL FREE
INTERNATIONAL +1-949-281-7412

PRODUCT SPECIFICATIONS:

Baluster meet building codes for railings.