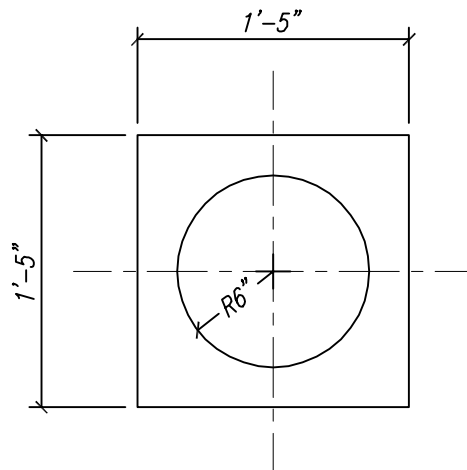


ELEVATION VIEW



PLAN VIEW

CAP #305

17" HIGH

SCALE: 1"=1'-0"

NOTE:

ALL PRECAST CONCRETE IS 2000 PSI

WWW.LAGUNAPRECAST.COM

949.281.7345 PHONE

877.774.3280 TOLL FREE

+11.949.289.0246 INTERNATIONAL

949.281.7359 FAX

SALES@LAGUNAPRECAST.COM