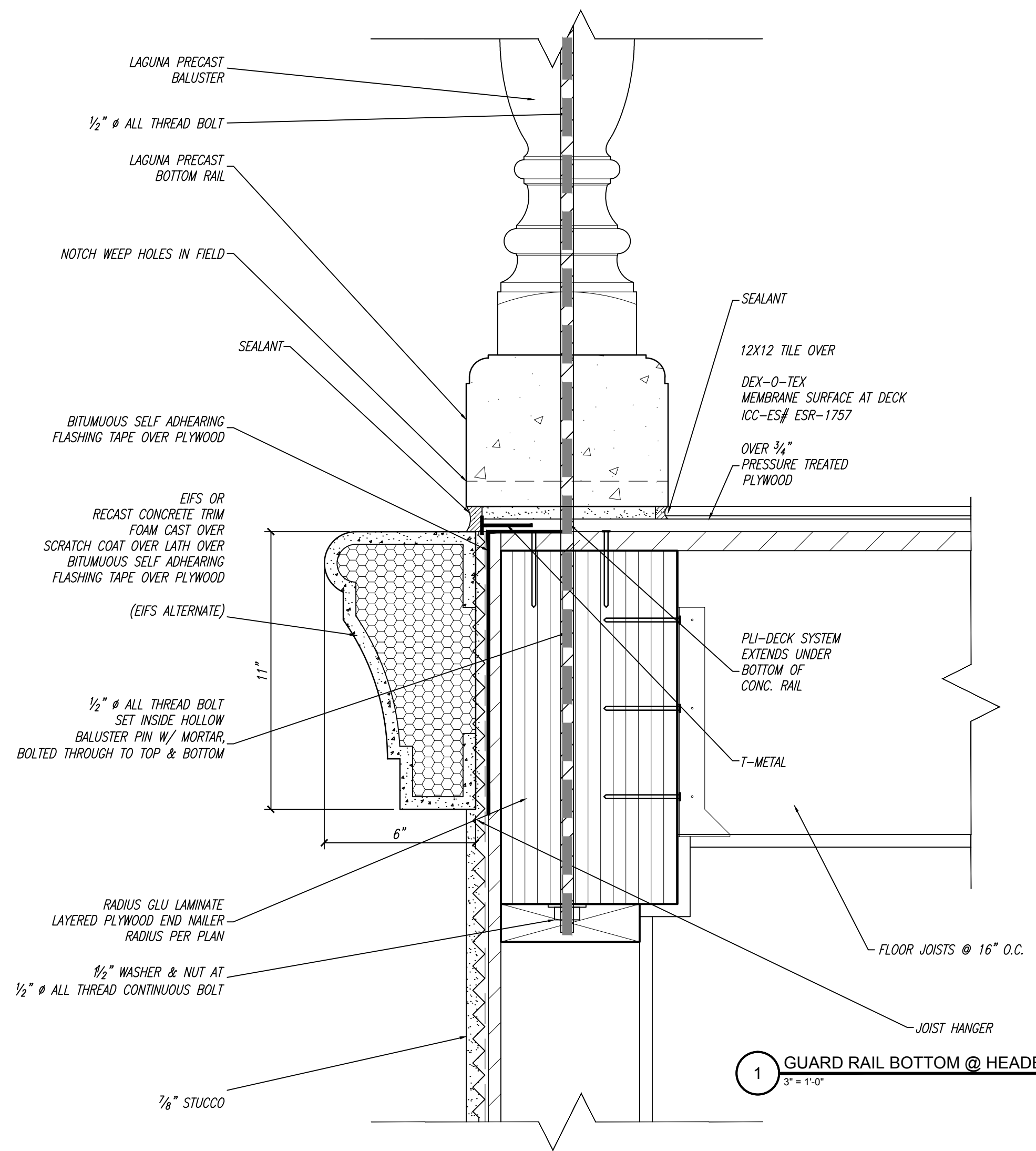
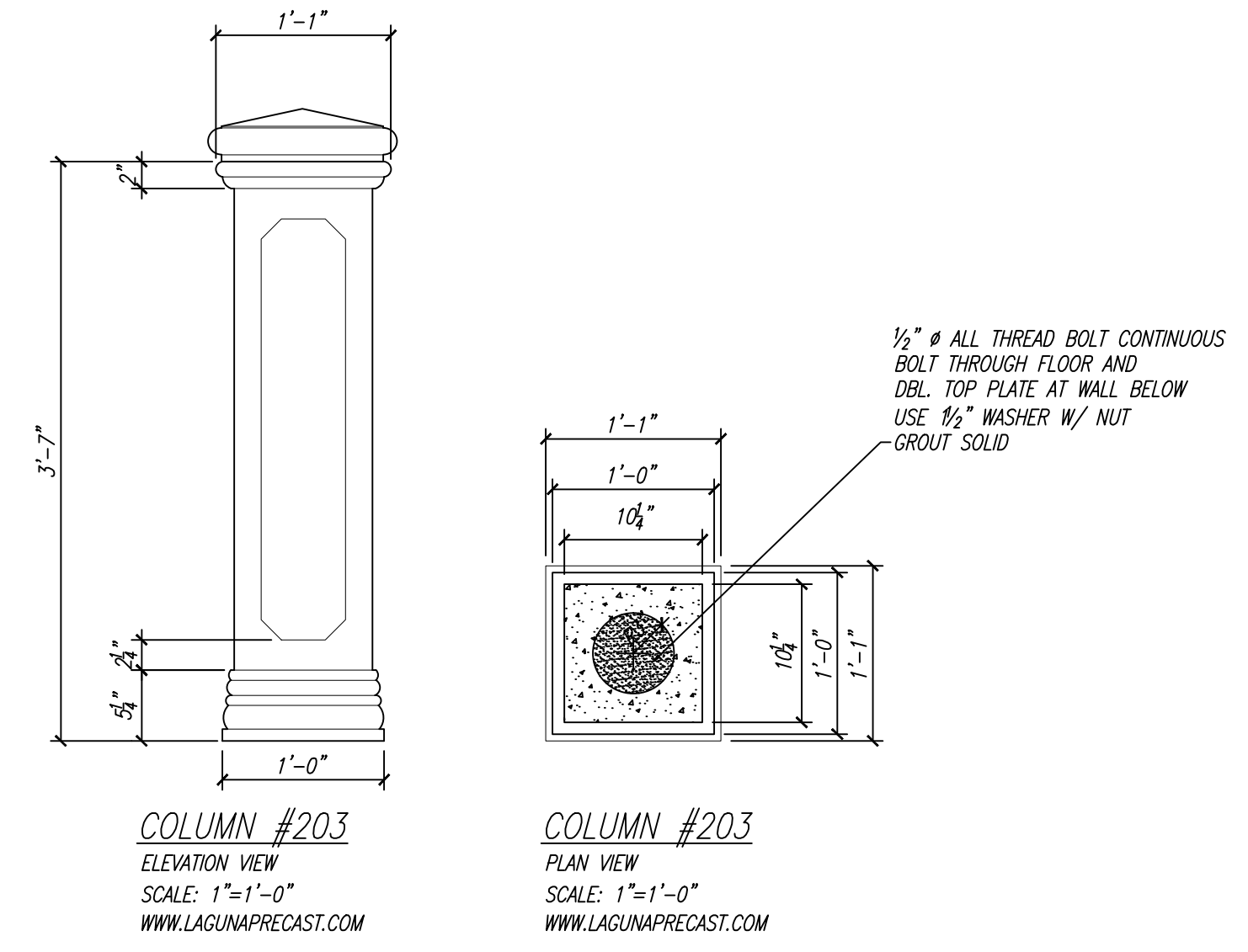


2 GUARD RAIL BOTTOM @ WALL
3" = 1'-0"



1 GUARD RAIL BOTTOM @ HEADER BEAM
3" = 1'-0"

Installation Drawings: Offered for reference only.
Ask for installation drawings that are similar to your jobs requirements.



COLUMN #203
ELEVATION VIEW
SCALE: 1" = 1'-0"
WWW.LAGUNAPRECAST.COM

COLUMN #203
PLAN VIEW
SCALE: 1" = 1'-0"
WWW.LAGUNAPRECAST.COM

3 COLUMN DETAIL
1" = 1'-0"

SALES 877 774 5280 TOLL FREE
INTERNATIONAL +1 1 949 281 7345
SALES@LAGUNAPRECAST.COM
WWW.LAGUNAPRECAST.COM

LAGUNA PRECAST

DESCRIPTION: DETAILS	OWNER:	DATE: 02.2015 - 213pm	REVISIONS
PRODUCT / SHEET #: PC-3		SCALE: AS NOTED	△ -
		DRAWN BY:	