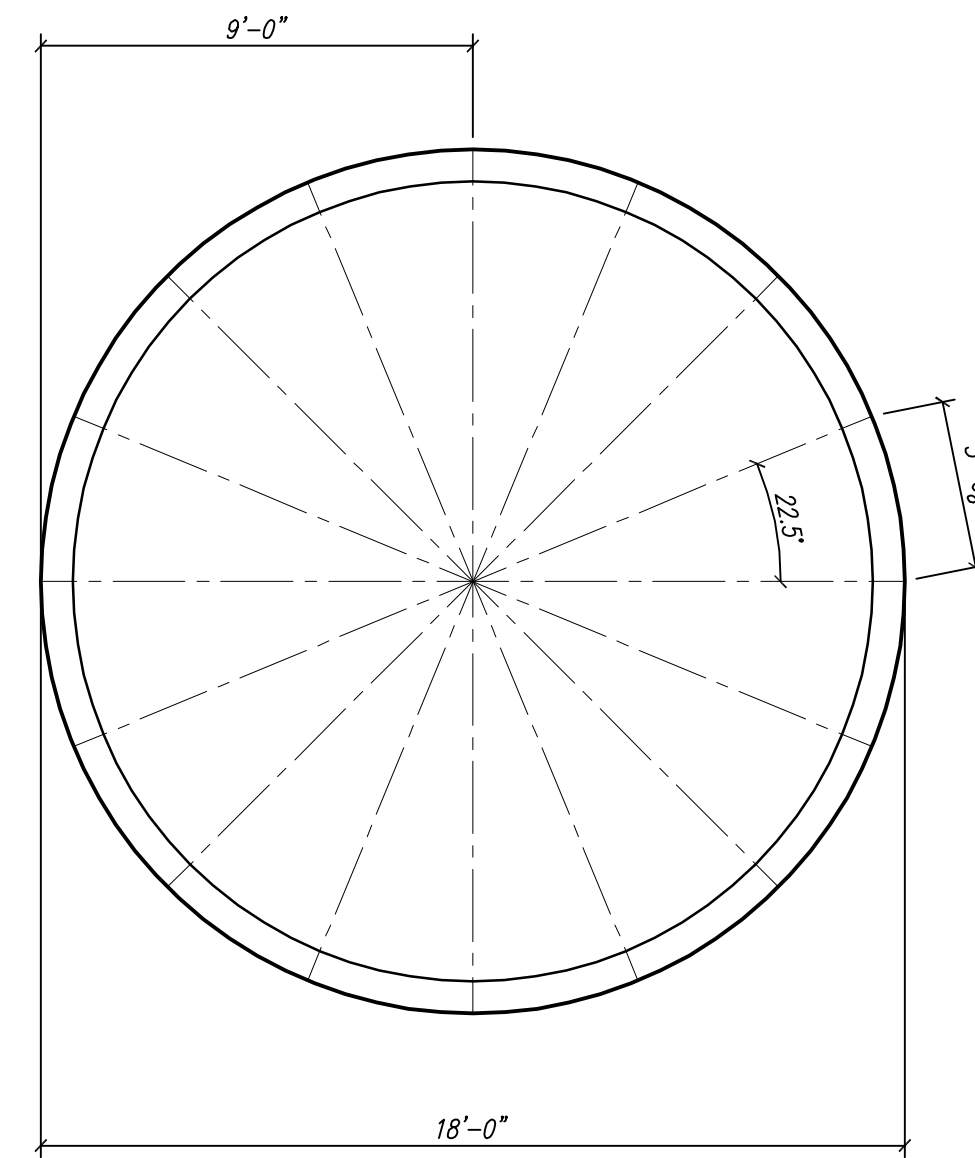


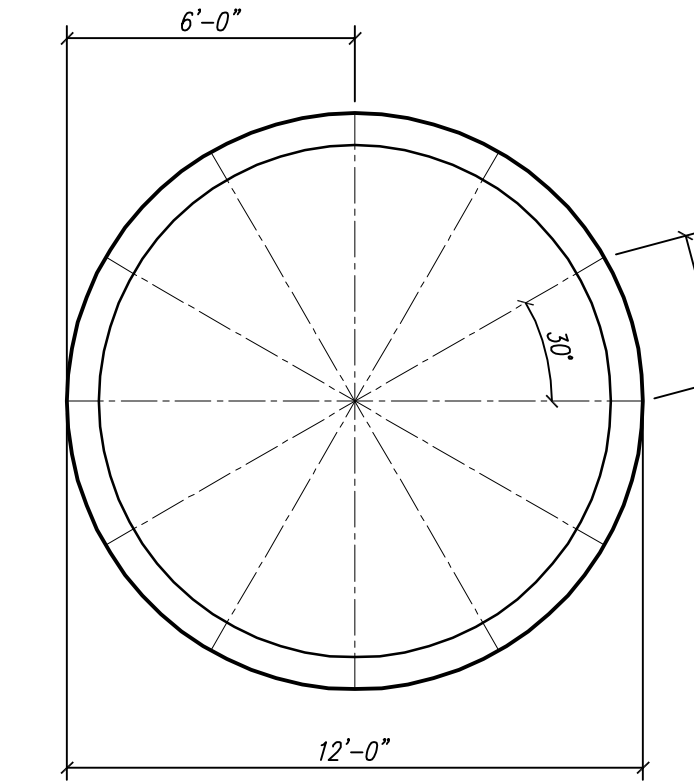
5 15'-0" RADIUS RAIL
 $\frac{1}{4}" = 1'-0"$

BALUSTER RAILS
 15'-0" RADIUS
 28 PIECES IN 360°



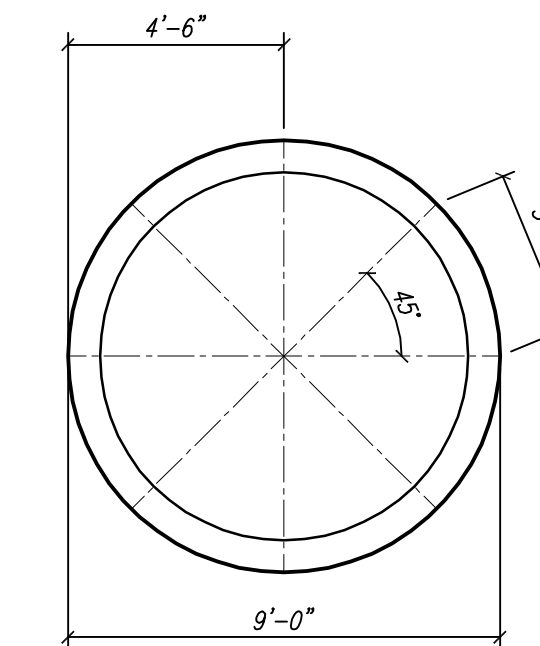
4 9'-0" RADIUS RAIL
 $\frac{1}{4}" = 1'-0"$

BALUSTER RAILS
 9'-0" RADIUS
 16 PIECES IN 360°



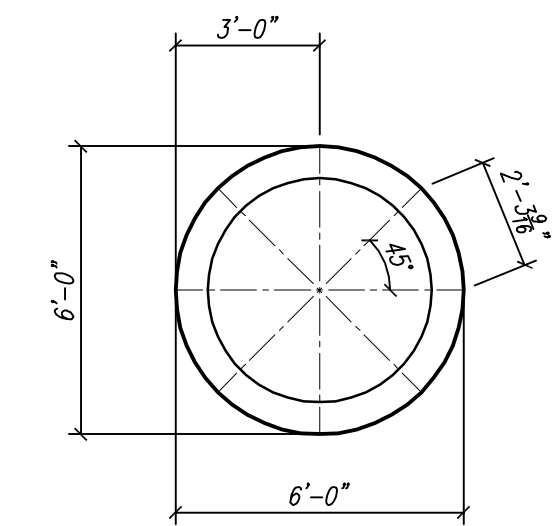
3 6'-0" RADIUS RAIL
 $\frac{1}{4}" = 1'-0"$

BALUSTER RAILS
 6'-0" RADIUS
 12 PIECES IN 360°



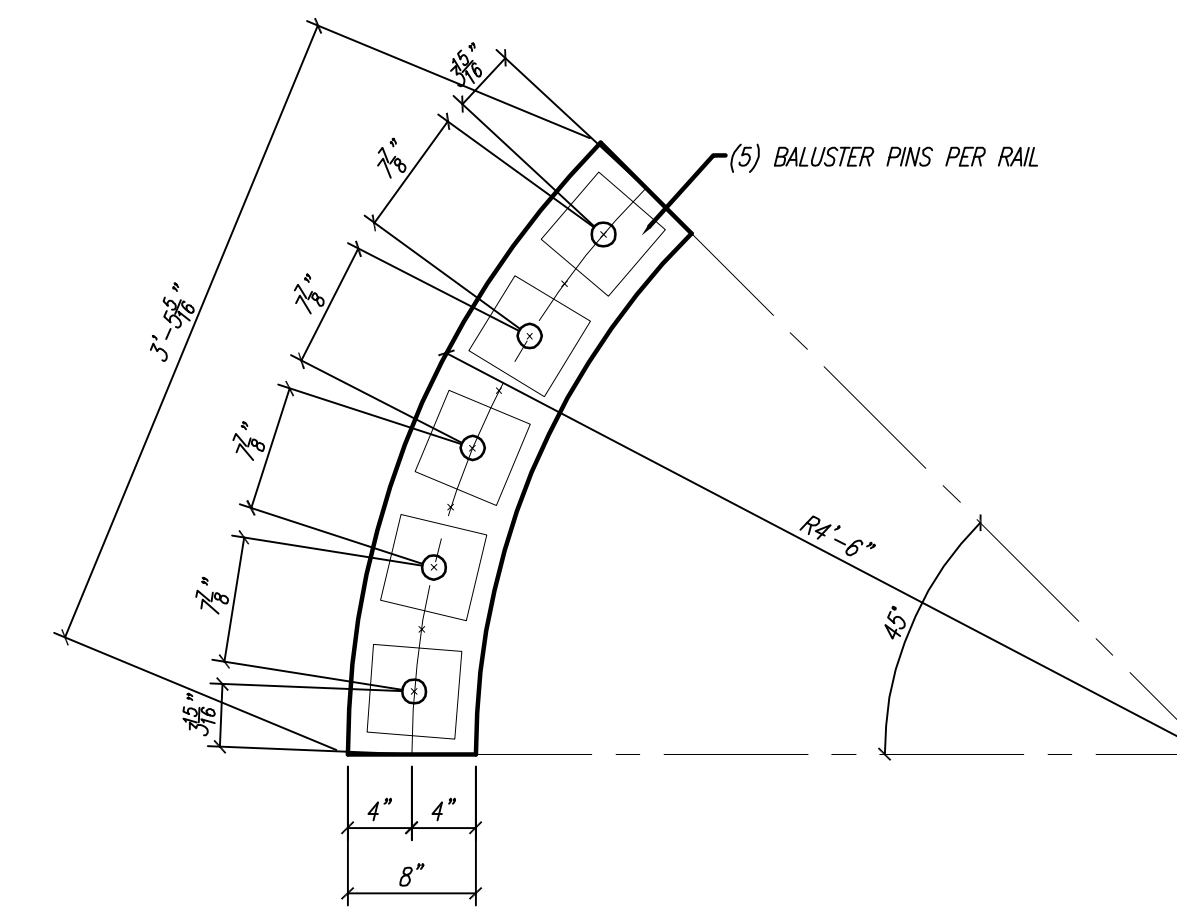
2 4'-6" RADIUS RAIL
 $\frac{1}{4}" = 1'-0"$

BALUSTER RAILS
 4'-6" RADIUS
 8 PIECES IN 360°

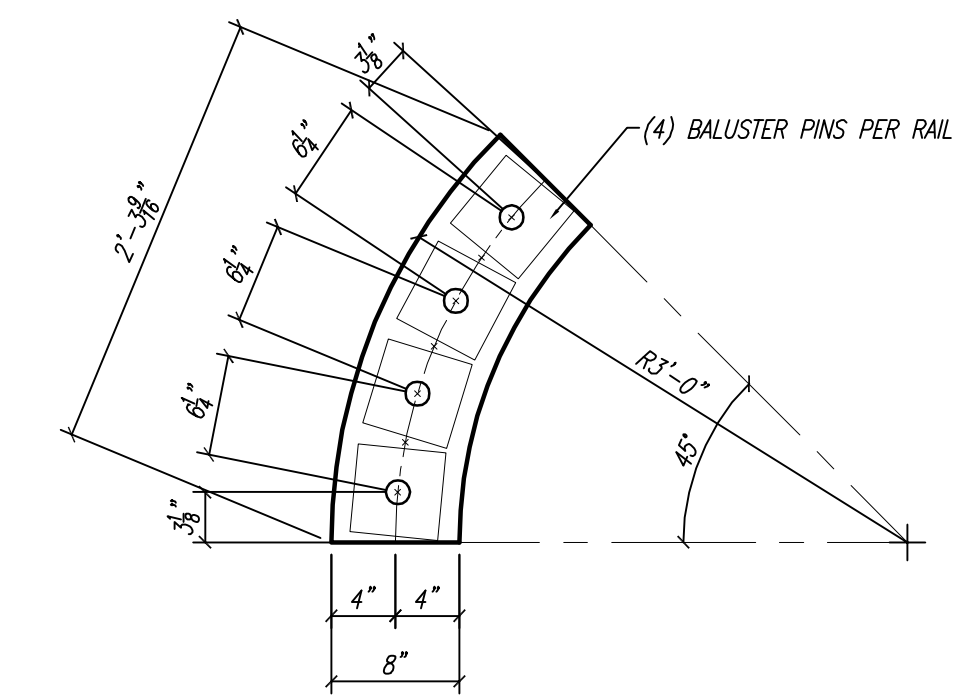


1 3'-0" RADIUS RAIL
 $\frac{1}{4}" = 1'-0"$

BALUSTER RAILS
 3'-0" RADIUS
 8 PIECES IN 360°



2A 4'-6" RADIUS
 $\frac{1}{4}" = 1'-0"$



1A 3' RADIUS
 $\frac{1}{4}" = 1'-0"$

LAGUNA PRECAST Mailing Address: Laguna Precast S.A. de C.V. 1626-C Sweetwater RD PMB 254 National City, CA 91950 SALES: 877.774.3280 TOLL FREE INTERNATIONAL: +1.1.949.281.7345 SALES@LAGUNAPRECAST.COM WWW.LAGUNAPRECAST.COM DESIGN DEPT. P.O. BOX 53 FORNEY, TX 75126 (972) 200-7220 GREG@LAGUNAPRECAST.COM	OWNER:	PROJECT: BALUSTER RAIL RADIUS PLANS		
	DESIGNER / CONTRACTOR:	DATE: 03-16-10 SCALE: AS NOTED DRAWN BY: G.G.		
REVISIONS: <table border="1"> <tr> <td>1</td> <td>-</td> </tr> </table>		1	-	PRODUCT / SHEET #: 100
1	-			